

Technical data sheet

Product features



Cooking range gas solid top with electric static oven

Model	SAP Code	00020644
--------------	-----------------	----------



- Device type: Combined unit
- Power consumption of the zone 1 [kW]: 4
- Power consumption of the zone 2 [kW]: 8,5
- Power consumption of the zone 3 [kW]: 6,6
- Power consumption of the zone 4 [kW]: 8,5
- Power consumption of the zone 5 [kW]: 8,5
- Ignition: Piezo + Eternal Flame
- Type of internal part of the appliance 1 (eg oven): Electric
- Type of internal part of the appliance 2 (eg oven): Static
- Material: AISI 304 top plate and cladding

SAP Code	00020644	Number of zones	5
Net Width [mm]	1200	Power consumption of the zone 1 [kW]	4
Net Depth [mm]	730	Power consumption of the zone 2 [kW]	8,5
Net Height [mm]	900	Power consumption of the zone 3 [kW]	6,6
Net Weight [kg]	173.00	Power consumption of the zone 4 [kW]	8,5
Power electric [kW]	8.700	Power consumption of the zone 5 [kW]	8,5
Loading	400 V / 3N - 50 Hz	Type of internal part of the appliance 1 (eg oven)	Electric
Power gas [kW]	36.100	Type of internal part of the appliance 2 (eg oven)	Static
Type of gas	Natural gas, propane butane	Solid top dimensions [mm x mm]	370 x 545

Technical data sheet

Technical drawing

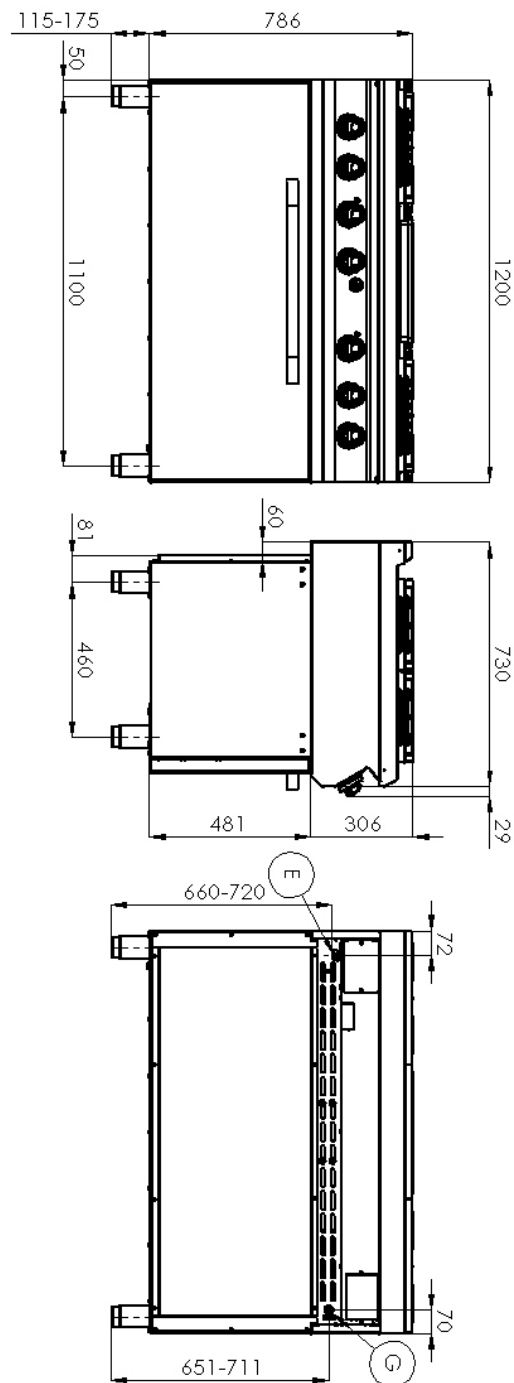


Cooking range gas solid top with electric static oven

Model

SAP Code

00020644



Technical data sheet

Technical parameters



Cooking range gas solid top with electric static oven

Model

SAP Code

00020644

1. SAP Code:

00020644

2. Net Width [mm]:

1200

3. Net Depth [mm]:

730

4. Net Height [mm]:

900

5. Net Weight [kg]:

173.00

6. Gross Width [mm]:

1260

7. Gross depth [mm]:

820

8. Gross Height [mm]:

1080

9. Gross Weight [kg]:

189.00

10. Device type:

Combined unit

11. Construction type of device:

Stationary

12. Power electric [kW]:

8.700

13. Loading:

400 V / 3N - 50 Hz

14. Power gas [kW]:

36.100

15. Ignition:

Piezo + Eternal Flame

16. Type of gas:

Natural gas, propane butane

17. Exterior color of the device:

Stainless steel

18. Material:

AISI 304 top plate and cladding

19. Worktop type:

Molded - comfortable cleaning maintenance

20. Worktop material:

AISI 304

21. Worktop Thickness [mm]:

1.50

22. Number of zones:

5

23. Power consumption of the zone 1 [kW]:

4

24. Power consumption of the zone 2 [kW]:

8,5

25. Power consumption of the zone 3 [kW]:

6,6

26. Power consumption of the zone 4 [kW]:

8,5

27. Power consumption of the zone 5 [kW]:

8,5

28. Grid material:

Cast iron

Technical data sheet

Technical parameters



Cooking range gas solid top with electric static oven

Model

SAP Code

00020644

29. Service accessibility:

Trough the frontal panel

30. Safety thermocouple:

Yes

31. Adjustable feet:

Yes

32. Number of burners/hot plates:

5

33. Type of gas cooking zones:

Fire protection to install + Classic burners

34. Burner type:

Brass, detachable

35. Oven Type:

electrical static

36. Oven power electric [kW]:

8.70

37. Oven size:

GN 3x 1/1

38. Type of internal part of the appliance 1 (eg oven):

Electric

39. Type of internal part of the appliance 2 (eg oven):

Static

40. Gasket:

Yes

41. Solid top thickness [mm]:

30

42. Solid top dimensions [mm x mm]:

370 x 545

43. Solid top ignition:

Piezo + Eternal Flame

44. Connection to a ball valve:

1/2

45. Cross-section of conductors CU [mm²]:

1,5

- Výkon (kW): 5-5,7 (230 V); 8,7-9,8 (400 V)